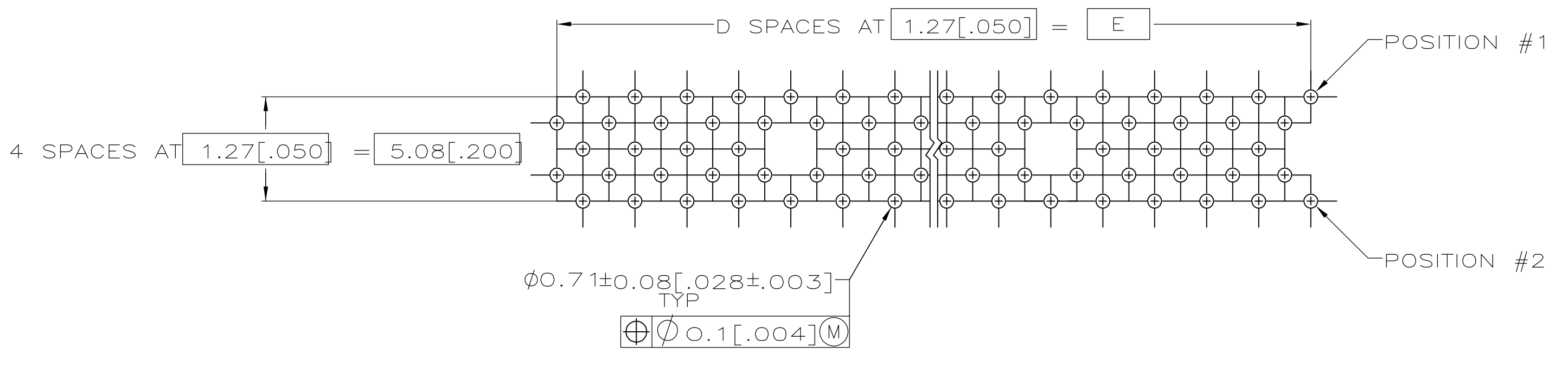
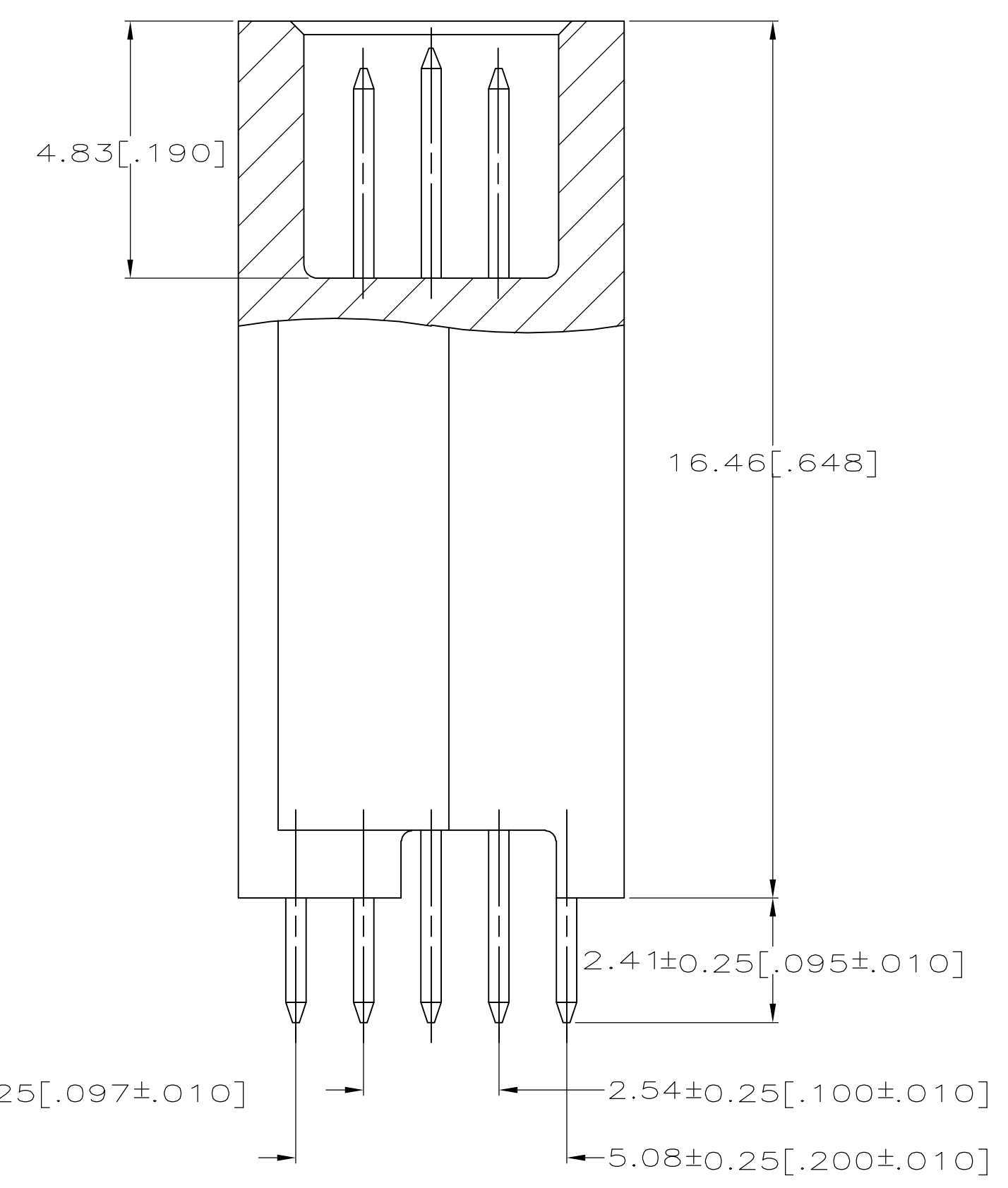
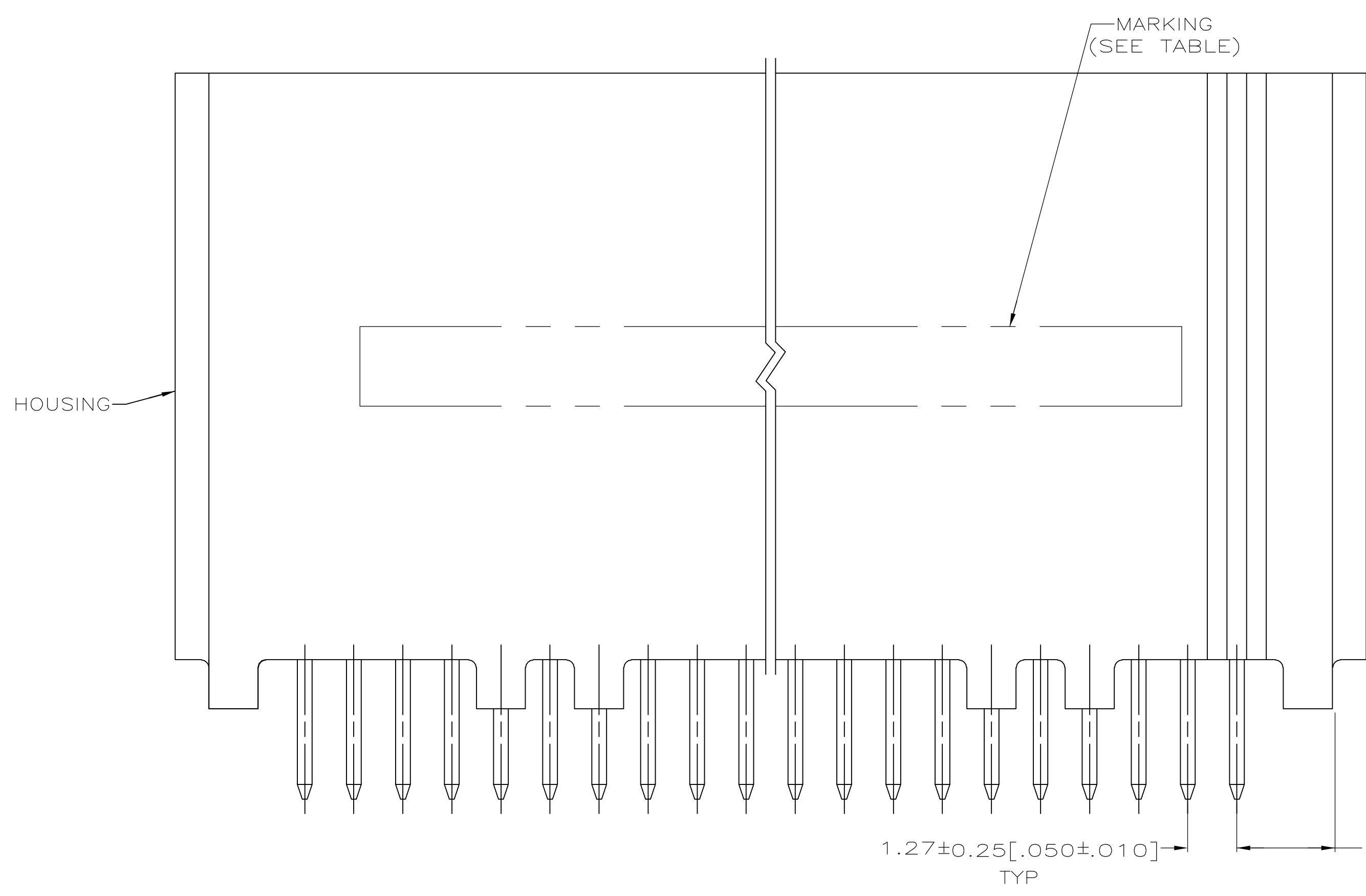


- ⚠ HOUSING: HIGH TEMPERATURE THERMOPLASTIC, COLOR NATURAL.
- PIN CONTACTS: PHOSPHOR BRONZE.
- GROUND BUSES: PHOSPHOR BRONZE.
- ⚠ PIN CONTACTS: 0.00076[.000030] MIN GOLD IN CONTACT AREA, 0.00254-0.00762[.000100-.000300] TIN-LEAD ON SOLDER TAIL, ALL OVER 0.00127-0.00254[.000050-.000100] NICKEL ON ENTIRE CONTACT.
- GROUND BUSES: 0.00076[.000030] MIN GOLD IN CONTACT AREA, 0.00254-0.00762[.000100-.000300] TIN-LEAD ON SOLDER TAIL, ALL OVER 0.00127-0.00254[.000050-.000100] NICKEL ON ENTIRE BUS.
- ⚠ AMP AND DATE CODE MARKED IN AREA INDICATED, ON SAME SIDE AS POSITION NUMBER 2 INDICATOR.
- ⚠ AMP, DATE CODE AND PART NUMBER MARKED IN AREA INDICATED, ON SAME SIDE AS POSITION NUMBER 2 INDICATOR.
- ⚠ ONE GROUND BUS WITH 4 TAILS PER EACH 20 PIN CONTACTS.



RECOMMENDED PC BOARD HOLE LAYOUT
(VIEWED FROM CONNECTOR SIDE)

	125.73[4.950]	99	128.22[5.048]	130.81[5.150]	132.44[5.214]	200	149009-9
	113.03[4.450]	89	115.52[4.548]	118.11[4.650]	119.74[4.714]	180	149009-8
	100.33[3.950]	79	102.82[4.048]	105.41[4.150]	107.04[4.214]	160	149009-7
OBSOLETE	87.63[3.450]	69	90.12[3.548]	92.71[3.650]	94.34[3.714]	140	149009-6
	74.93[2.950]	59	77.42[3.048]	80.01[3.150]	81.64[3.214]	120	149009-5
	62.23[2.450]	49	64.72[2.548]	67.31[2.650]	68.94[2.714]	100	149009-4
	49.53[1.950]	39	52.02[2.048]	54.61[2.150]	56.24[2.214]	80	149009-3
OBSOLETE	36.83[1.450]	29	39.32[1.548]	41.91[1.650]	43.54[1.714]	60	149009-2
	24.13[.950]	19	26.62[1.048]	29.21[1.150]	30.84[1.214]	40	149009-1
MARKING	E	D	C	B	A	NO OF POS	PART NUMBER

THIS DRAWING IS A CONTROLLED DOCUMENT.

DWN	J. GERACE	11-22-94	 Tyco Electronics Corporation Harrisburg, PA 17105-3608
CHK	P. MATAR	11-22-94	
APP'D	A. MONK	11-22-94	NAME
PRODUCT SPEC	108-1272		PLUG ASSEMBLY, 18.75[.738] STACK, 2.41[.095] TAIL, BOARD TO BOARD, MICROSTRIP
APPLICATION SPEC	114-11005		SIZE
WEIGHT	-		A1 00779 ©=149009
CUSTOMER DRAWING			SCALE 10:1 SHEET 1 OF 1 REV C